

WINCORE™

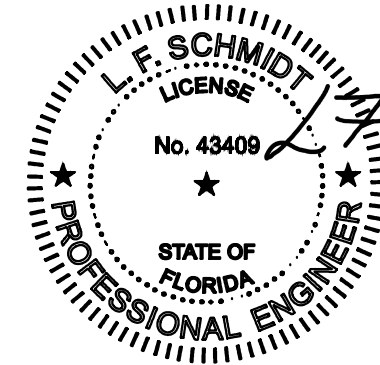
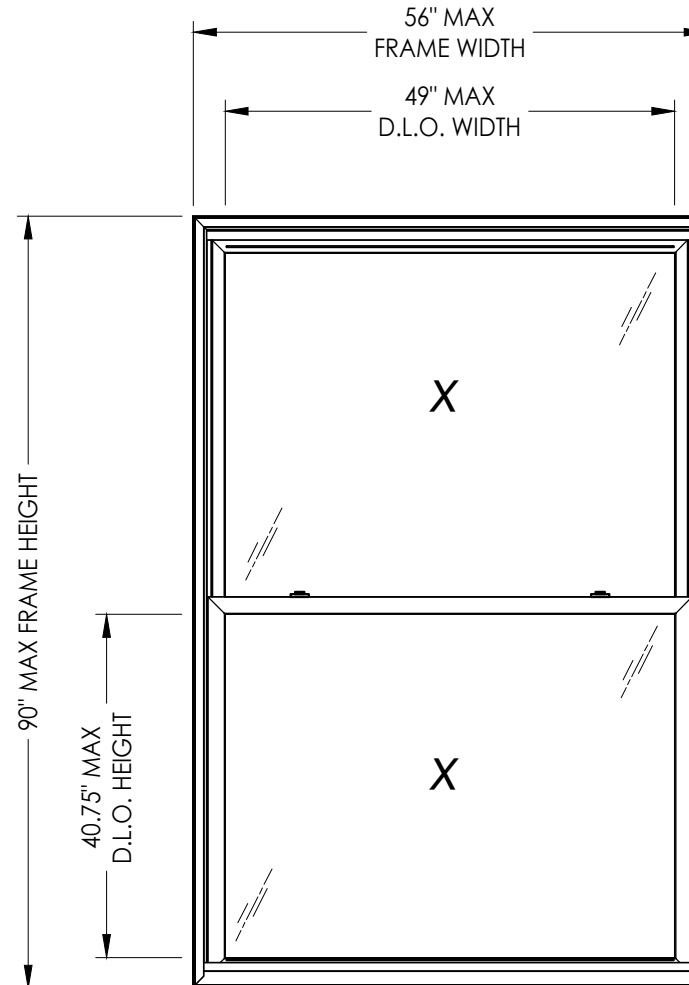
WINDOWS & DOORS

250 Staunton Turnpike, Parkersburg, WV 26104

7700 / 9900 Series Vinyl Double Hung Window "NON-IMPACT"

GENERAL NOTES

- This product has been evaluated and is in compliance with the 8th Edition (2023) Florida Building Code (FBC) structural requirements excluding the "High Velocity Hurricane Zone" (HVHZ).
- Product anchors shall be as listed and spaced as shown on details. Anchor embedment to base material shall be beyond wall dressing or stucco.
- When used in areas requiring wind borne debris protection this product is required to be protected with an impact resistant covering that complies with FBC Sections 1609.1.2 & R301.2.1.2.
- For 2x stud framing construction, anchoring of these units shall be the same as that shown for 2x buck masonry construction.
- Site conditions that deviate from the details of this drawing require further engineering analysis by a licensed engineer or registered architect.



This item has been digitally signed and sealed by L. F. Schmidt, P.E. on the date adjacent to the seal. Printed copies of this document are not considered signed and sealed and the signature must be verified on any electronic copies.

THIS PRODUCT APPROVAL IS VALID ONLY FOR THE STATE OF FLORIDA

Documents Prepared By:
Lyndon F. Schmidt
P.E. No. 43409

RW BUILDING CONSULTANTS, INC.
P.O. Box 230, Valrico, FL 33595
Phone No.: 813.659.9197
FBPE Registry No. 9813

PRODUCT:
7700 / 9900 SERIES
Vinyl Double Hung Window
PART OR ASSEMBLY:
TYPICAL ELEVATION, DESIGN PRESSURES & GENERAL NOTES

NO.	DATE	REVISIONS
6	7/06/23	UPDATE TO 8TH ED. (2023) FBC
5	7/02/20	UPDATE TO 7TH ED. (2020) FBC
4	6/01/17	UPDATE TO 6TH ED. (2017) FBC
3	5/10/16	REVISE INSTALLATION SCREWS
2	1/27/15	UPDATE TO 5TH ED. (2014) FBC
1	8/25/14	REVISED REINFORCEMENT

DATE: 6/26/14
SCALE: N.T.S.
DWG. BY: JK
CHK. BY: LFS
DRAWING NO.: FL-15819.9
SHEET 1 OF 5

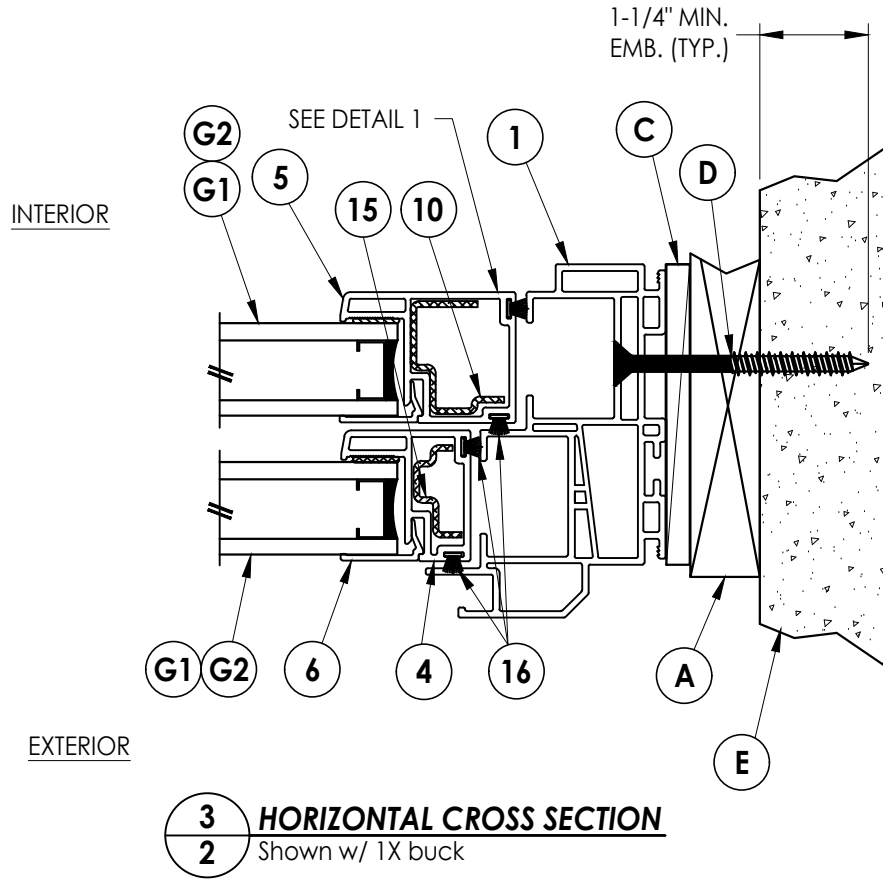
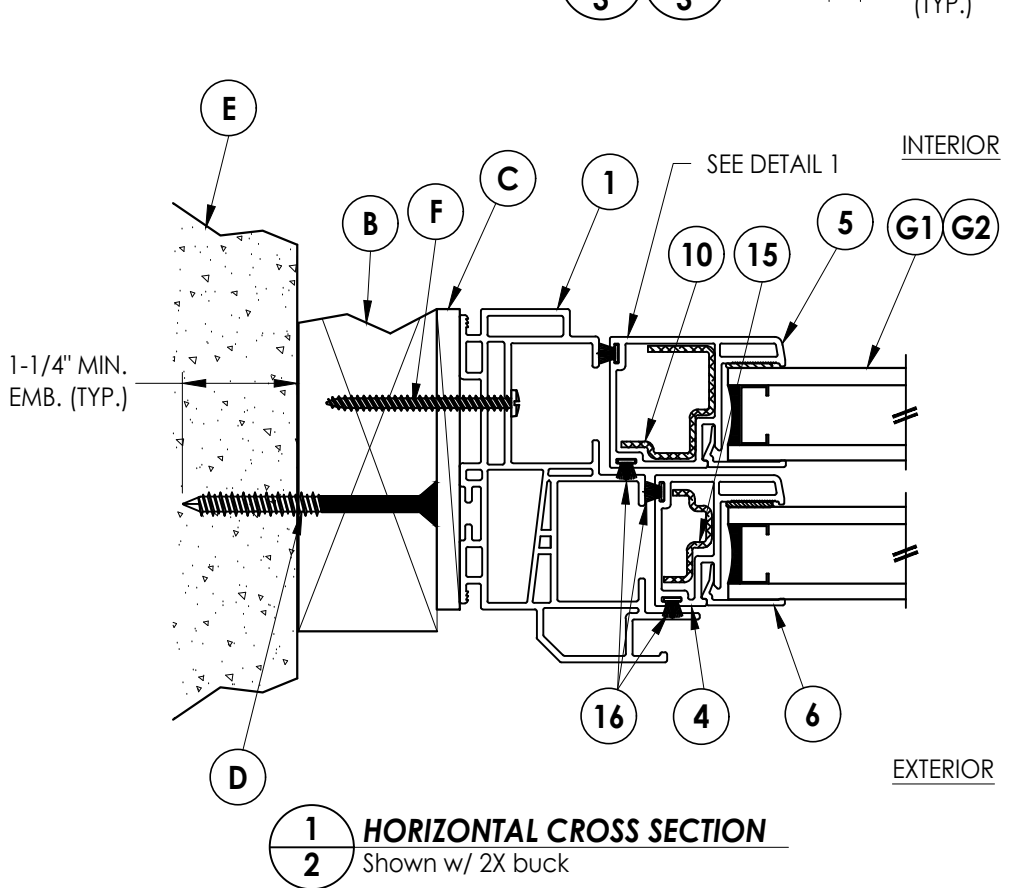
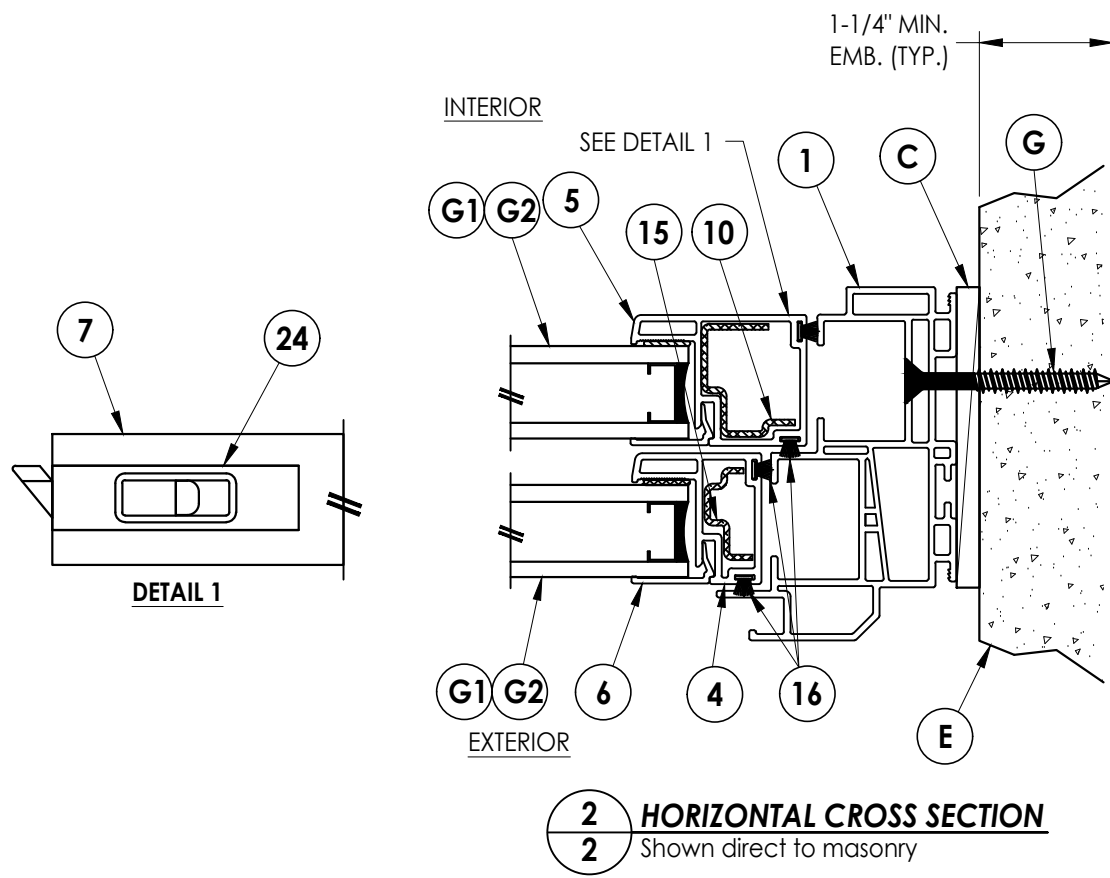
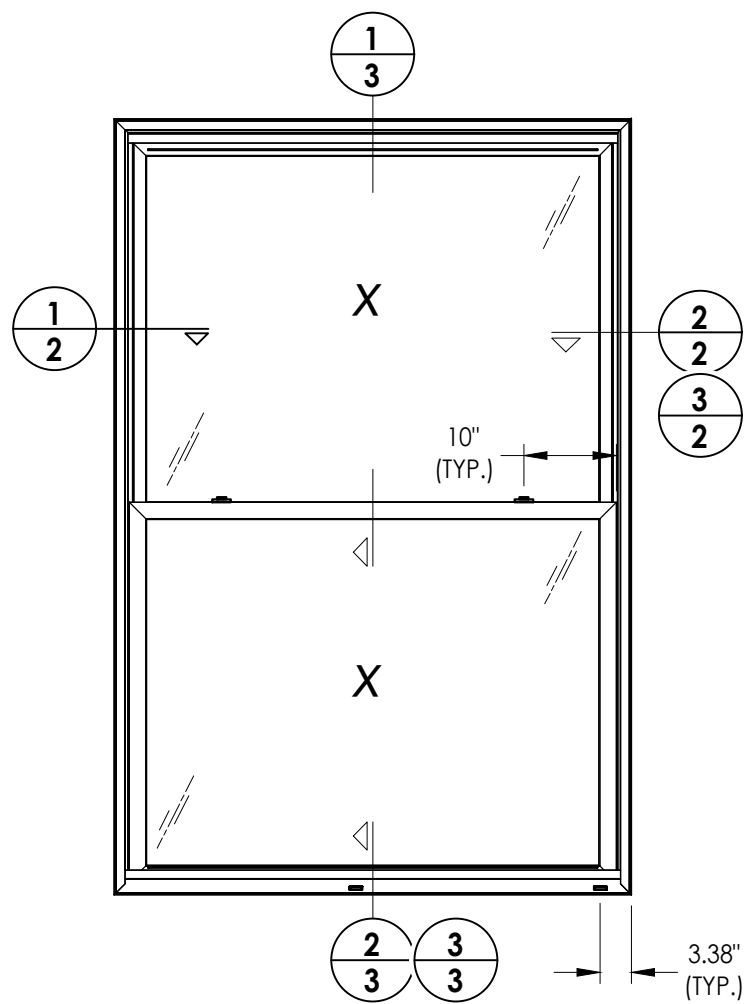
NOTE: Maximum frame height & width occur on separate units.

MAX. FRAME DIMENSION	MAX. D.L.O. DIMENSION	GLASS TYPE	DESIGN PRESSURE (PSF)	
			POSITIVE	NEGATIVE
38.0" X 76.0"	31.0" X 33.75"	G1, G2	+50.0	-50.0
56.0" X 60.0"	49.0" X 25.75"	G1, G2	+35.0	-35.0
52.0" X 64.0"	45.0" X 27.75"	G1, G2	+35.0	-35.0
48.0" X 70.0"	41.0" X 30.75"	G1, G2	+35.0	-35.0
44.0" X 76.0"	37.0" X 33.75"	G1, G2	+35.0	-35.0
40.0" X 84.0"	33.0" X 37.75"	G1, G2	+35.0	-35.0

MAX. FRAME DIMENSION	MAX. D.L.O. DIMENSION	GLASS TYPE	DESIGN PRESSURE (PSF)	
			POSITIVE	NEGATIVE
56.0" X 70.0"	49.0" X 30.75"	G1, G2	+30.0	-30.0
52.0" X 74.0"	45.0" X 32.75"	G1, G2	+30.0	-30.0
48.0" X 80.0"	41.0" X 35.75"	G1, G2	+30.0	-30.0
44.0" X 84.0"	37.0" X 37.75"	G1, G2	+30.0	-30.0
56.0" X 84.0"	49.0" X 37.75"	G1, G2	+25.0	-25.0
48.0" X 90.0"	41.0" X 40.75"	G1, G2	+25.0	-30.0

SHEET#	DESCRIPTION
1	Typical elevations, design pressures and general notes
2	Horizontal cross sections
3	Vertical cross sections
4	Buck and frame anchoring
5	Bill of materials, components & glazing details

Z:\2023 FBC Drawings\Wincore Window Company\FL-15819 R12\FL-15819.9.dwg



Documents Prepared By:
Lyndon F. Schmidt
P.E. No. 43409

RW BUILDING CONSULTANTS, INC.
P.O. Box 230, Vairico, FL 33595
Phone No.: 813.659.9197
FBPE Registry No. 9813

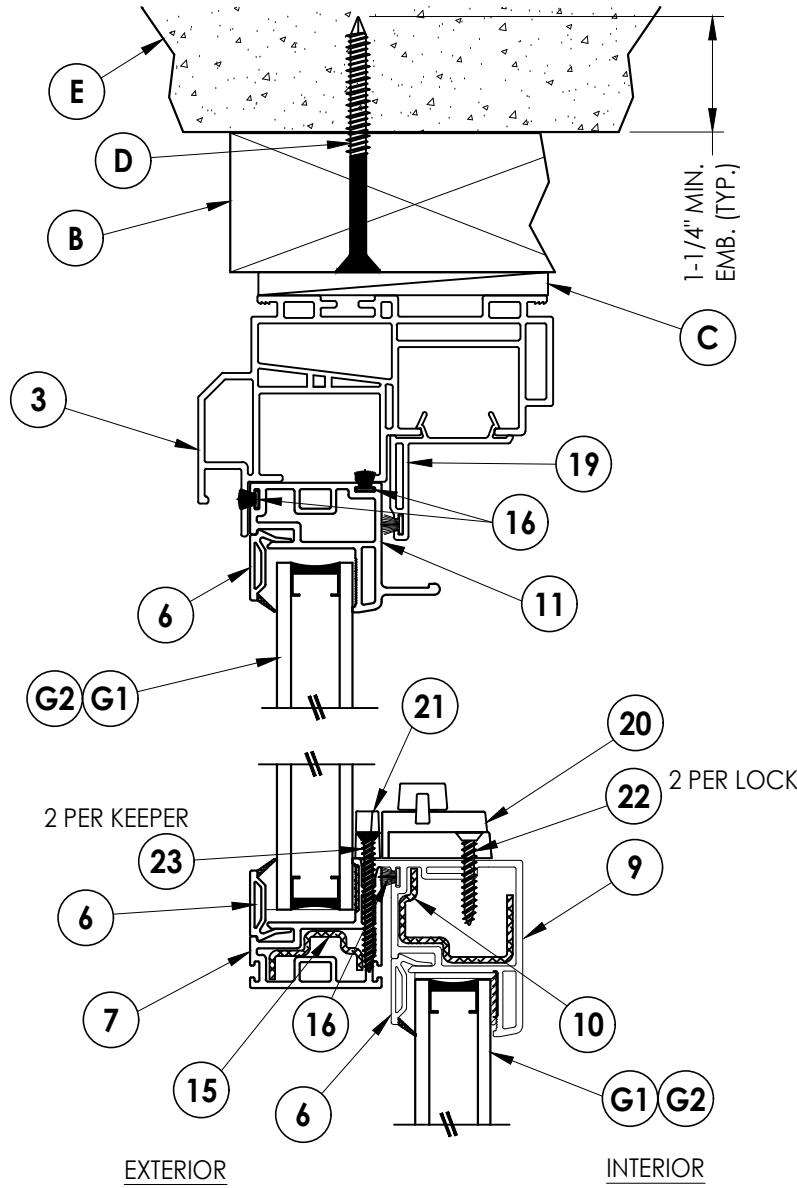
PRODUCT:
7700 / 9900 SERIES
Vinyl Double Hung Window

PART OR ASSEMBLY:
HORIZONTAL
CROSS SECTIONS

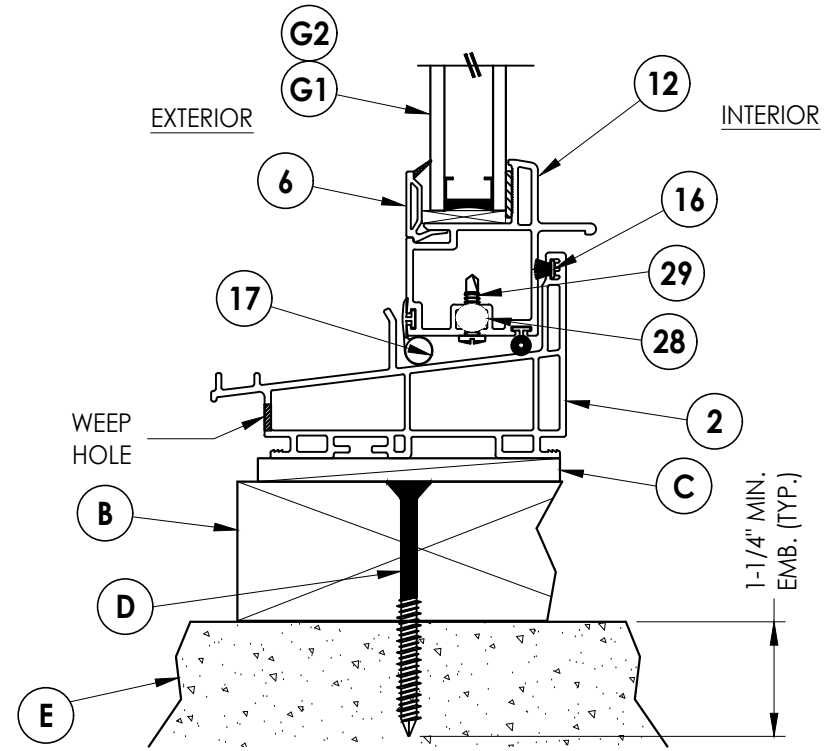
NO.	DATE	REVISIONS
6	7/06/23	UPDATE TO 8TH ED. (2023) FBC
5	7/02/20	UPDATE TO 7TH ED. (2020) FBC
4	6/01/17	UPDATE TO 6TH ED. (2017) FBC
3	5/10/16	REVISE INSTALLATION SCREWS
2	1/27/15	UPDATE TO 5TH ED. (2014) FBC
1	8/25/14	REVISED REINFORCEMENT

DATE: 6/26/14
SCALE: N.T.S.
DWG. BY: JK
CHK. BY: LFS
DRAWING NO.: FL-15819.9
SHEET 2 OF 5

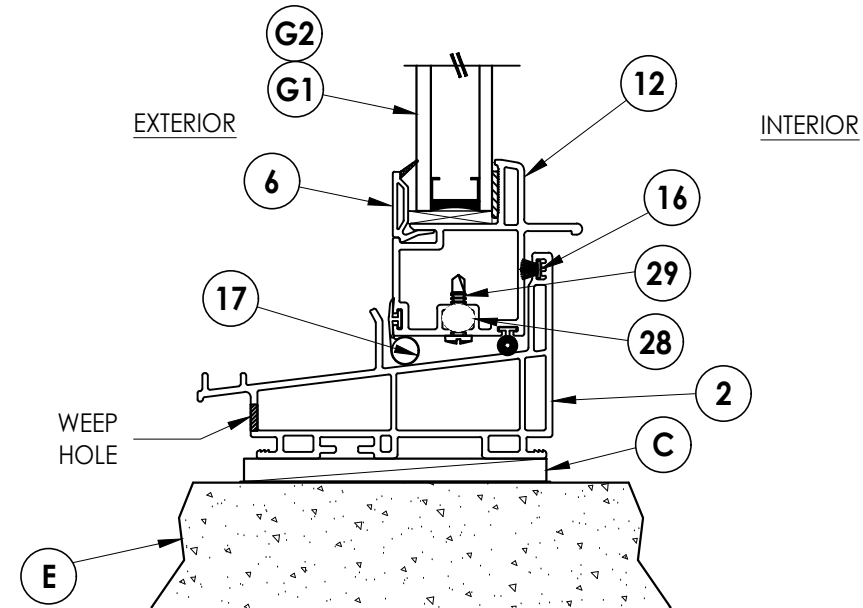
© 2014 R.W. BUILDING CONSULTANTS INC.



1 VERTICAL CROSS SECTION
3 Shown w/ 2X buck

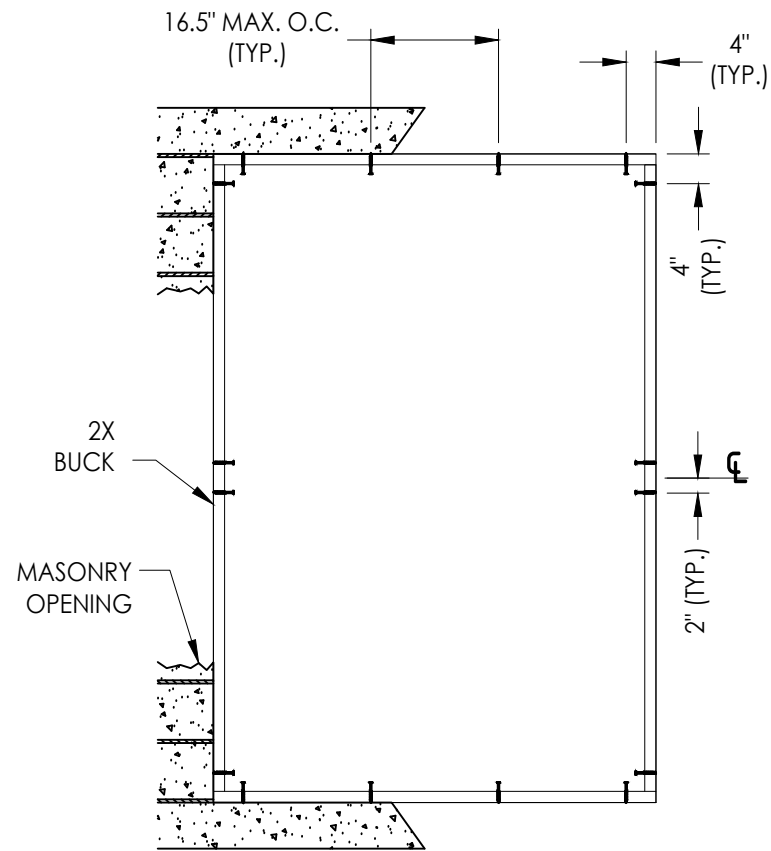


2 VERTICAL CROSS SECTION
3 Shown w/ 2X buck

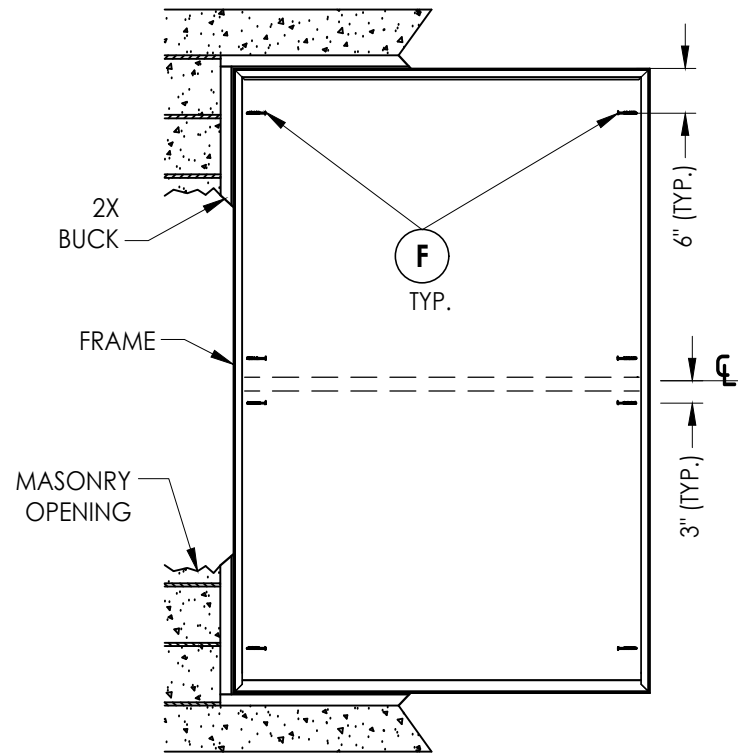


3 VERTICAL CROSS SECTION
3 Shown direct to masonry

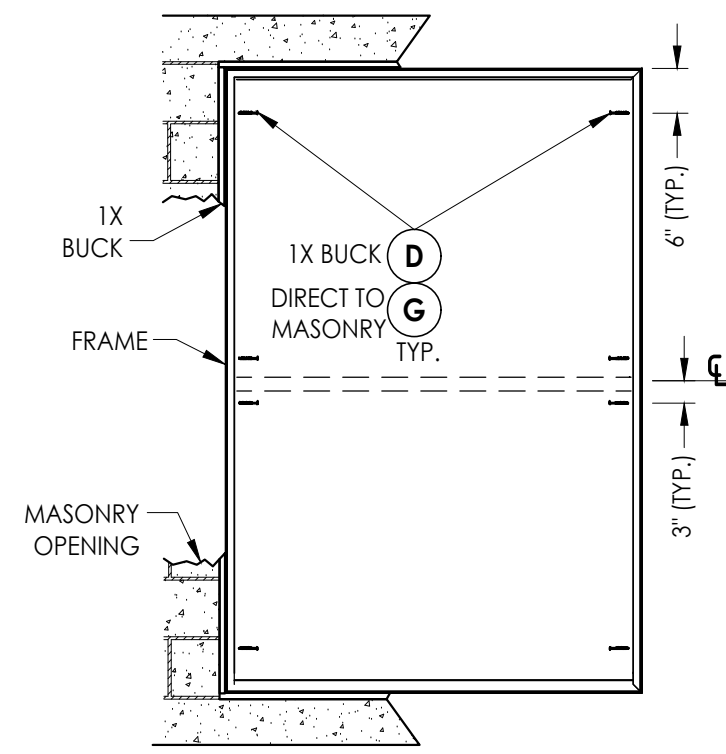
Documents Prepared By: Lyndon F. Schmidt P.E. No. 43409		BUILDING CONSULTANTS, INC. P.O. Box 230, Vairico, FL 33595 Phone No.: 813.659.9197 FBPE Registry No. 9813	
PRODUCT: 7700 / 9900 SERIES Vinyl Double Hung Window		PART OR ASSEMBLY: VERTICAL CROSS SECTIONS	
6	7/06/23	UPDATE TO 8TH ED. (2023)	FBC
5	7/02/20	UPDATE TO 7TH ED. (2020)	FBC
4	6/01/17	UPDATE TO 6TH ED. (2017)	FBC
3	5/10/16	REVISE INSTALLATION SCREWS	LFS
2	1/27/15	UPDATE TO 5TH ED. (2014)	FBC
1	8/25/14	REVISED REINFORCEMENT	JK
NO.	DATE		BY
REVISIONS			
DATE: 6/26/14			
SCALE: N.T.S.			
DWG. BY: JK			
CHK. BY: LFS			
DRAWING NO.: FL-15819.9			
SHEET 3 OF 5			



BUCK ANCHORING



FRAME ANCHORING
2X Buck



FRAME ANCHORING
1X Buck
Direct to masonry

CONCRETE ANCHOR NOTES:

- Concrete anchor locations at the corners may be adjusted to maintain the min. edge distance to mortar joints.
- Concrete anchor locations noted as "MAX. ON CENTER" must be adjusted to maintain the min. edge distance to mortar joints, additional concrete anchors may be required to ensure the "MAX. ON CENTER" dimensions are not exceeded.
- Concrete anchor table:

ANCHOR TYPE	ANCHOR SIZE	MIN. EMBEDMENT	MIN. CLEARANCE TO MASONRY EDGE	MIN. CLEARANCE TO ADJACENT ANCHOR
ITW TAPCON®	1/4"	1-1/4"	2"	4"
DeWALT ULTRACON+®	1/4"	1-1/4"	1"	4"

WOOD SCREW INSTALLATION NOTES:

- Maintain a minimum 5/8" edge distance, 1" end distance, & 1" o.c. spacing of wood screws to prevent the splitting of wood.

Documents Prepared By:
Lyndon F. Schmidt
P.E. No. 43409

RW BUILDING CONSULTANTS, INC.
P.O. Box 230, Valrico, FL 33595
Phone No.: 813.659.9197
FBPE Registry No. 9813

PRODUCT:
7700 / 9900 SERIES
Vinyl Double Hung Window

PART OR ASSEMBLY:
BUCK AND
FRAME ANCHORING

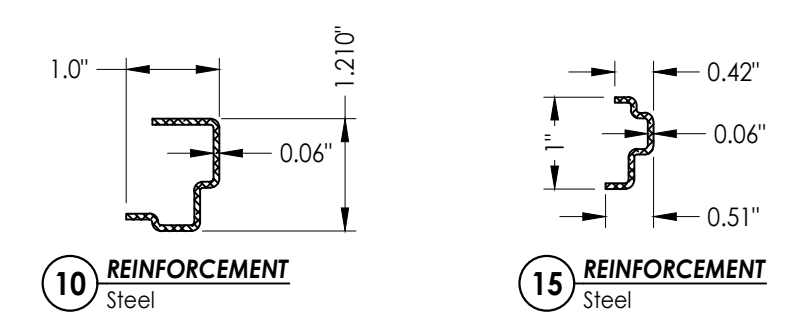
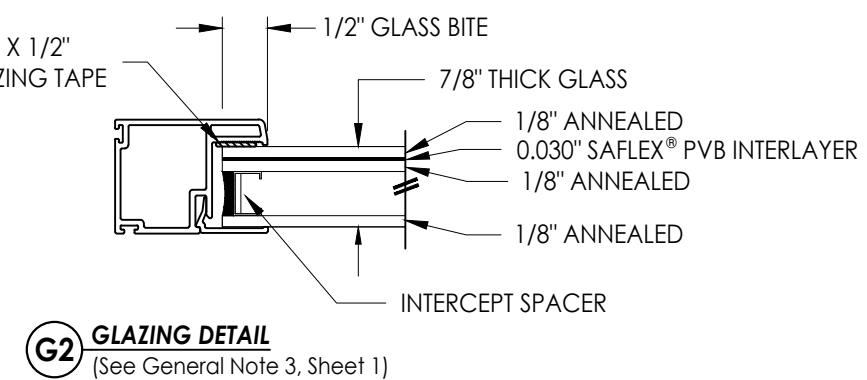
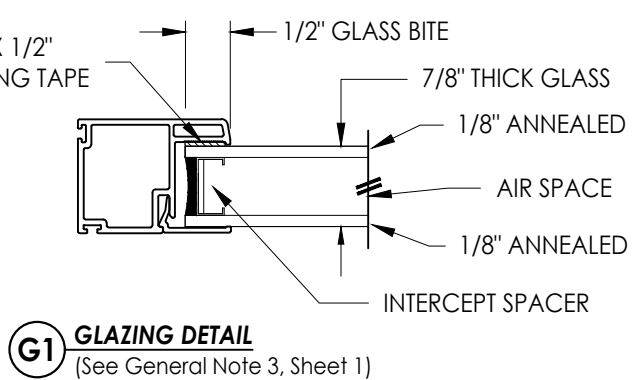
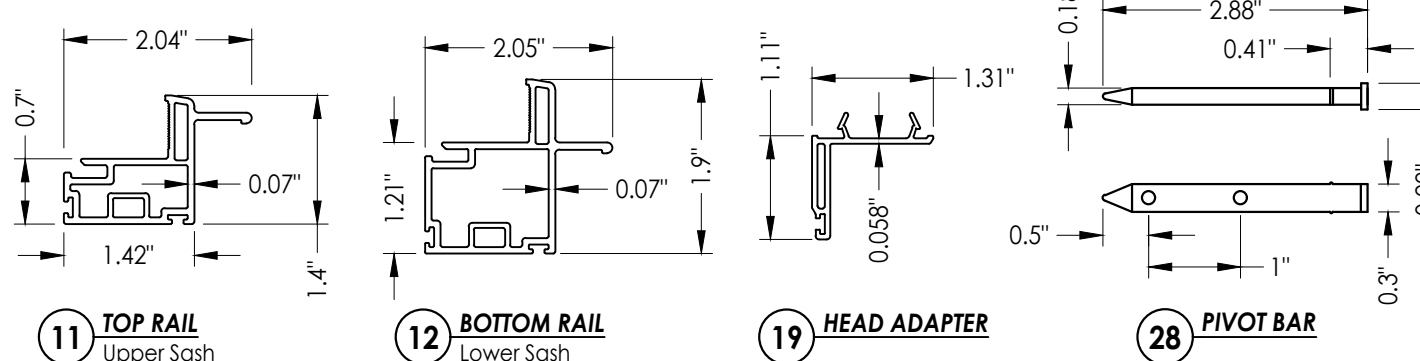
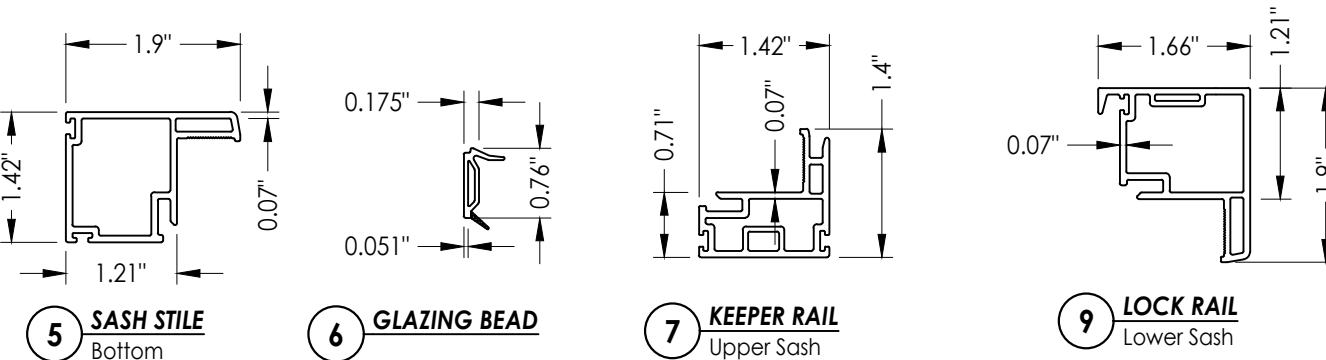
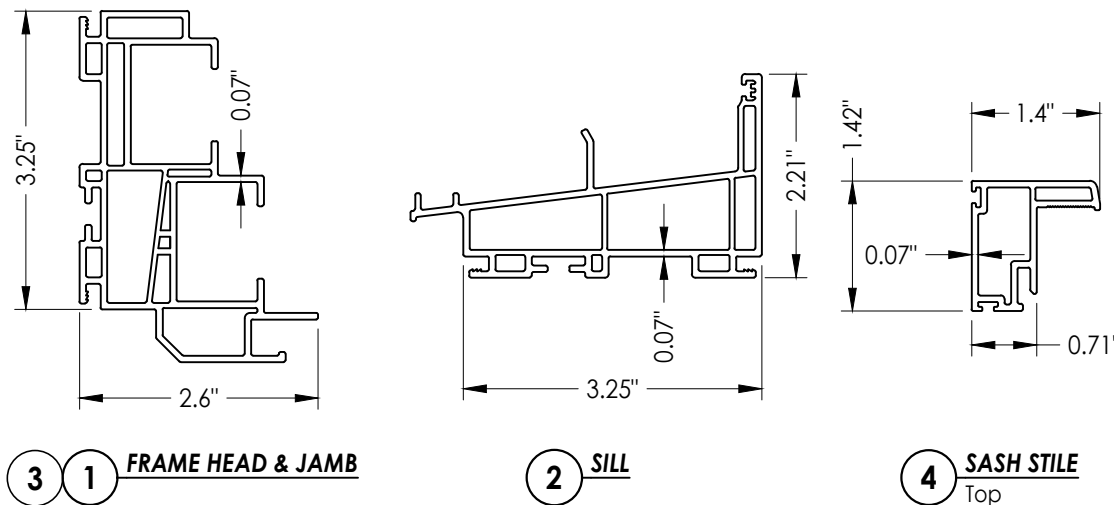
NO.	DATE	REVISIONS
6	7/06/23	UPDATE TO 8TH ED. (2023) FBC LFS
5	7/02/20	UPDATE TO 7TH ED. (2020) FBC LFS
4	6/01/17	UPDATE TO 6TH ED. (2017) FBC LFS
3	5/10/16	REVISE INSTALLATION SCREWS LFS
2	1/27/15	UPDATE TO 5TH ED. (2014) FBC LFS
1	8/25/14	REVISED REINFORCEMENT JK
		BY

DATE: 6/26/14
SCALE: N.T.S.
DWG. BY: JK
CHK. BY: LFS
DRAWING NO.: FL-15819.9
SHEET 4 of 5

BILL OF MATERIALS

ITEM #	DESCRIPTION	MATERIAL
A	1X BUCK SG >= 0.42	WOOD
B	2X BUCK SG >= 0.42	WOOD
C	1/4" MAX. SHIM SPACE	-
D	1/4" X 2-3/4" PFH DeWALT OR ITW CONCRETE SCREW	STEEL
E	MASONRY - 3,000 PSI MIN. CONCRETE CONFORMING TO ACI 301 OR HOLLOW BLOCK CONFORMING TO ASTM C90	CONCRETE
F	#8 X 2" PAN HEAD/TRUSS HEAD WOOD SCREW (1-3/8" MIN. EMBEDMENT)	STEEL
G	1/4" X 2-1/4" PFH DeWALT OR ITW CONCRETE SCREW	STEEL
1	FRAME JAMB* (DH 7701)	PVC
2	SILL* (DH 7703)	PVC
3	FRAME HEAD* (DH 7701)	PVC
4	UPPER SASH STILE* (SE 3035)	PVC
5	LOWER SASH STILE* (SE 3045)	PVC
6	GLAZING BEAD*	PVC
7	KEEPER RAIL UPPER SASH* (SE 3034)	PVC
9	LOCK RAIL LOWER SASH* (SE 3046)	PVC
10	REINFORCEMENT (RF 3101) (CS TYPE B HOT DIPPED GALV.)	STEEL
11	TOP RAIL UPPER SASH* (SE 3037)	PVC
12	BOTTOM RAIL LOWER SASH* (SE 3047)	PVC
15	REINFORCEMENT (RF 3001) (CS TYPE B HOT DIPPED GALV.)	STEEL
16	WEATHERSTRIP ULTRA FAB .270 PILE - 270 -1875B	-
17	WEATHERSTRIP SILLBULB (AMESBURY 32690)	-
19	HEAD ADAPTER* (DH 3005)	PVC
20	LOCK 8513 / 8845 LAWRENCE	PVC
21	KEEPER 2700 - 214 LAWRENCE	PVC
22	#8 X 1" PFH (VINYL LOCK SCREWS)	STEEL
23	#6 X 1-1/2" PFH (VINYL LOCK SCREWS)	STEEL
24	TOP SASH TILT LATCH - ASHLAND	PVC
28	PIVOT BAR - CALDWELL	-
29	#8 X 1/2" SELF TAPPING PPH SMS	STEEL

* THE APPROVED WHITE RIGID PVC EXTERIOR EXTRUSIONS FOR WINDOWS ARE TO BE PRODUCED BY EXTRUDERS LICENSEES IN "AAMA CERTIFICATION PROGRAMS FOR RIGID PVC EXTRUSIONS".



Documents Prepared By:
 Lyndon F. Schmidt
 P.E. No. 43409

RW BUILDING CONSULTANTS, INC.
 P.O. Box 230, Vairico, FL 33595
 Phone No.: 813.659.9197
 FBPE Registry No. 9813

PRODUCT:
 7700 / 9900 SERIES
 Vinyl Double Hung Window

PART OR ASSEMBLY:
 BILL OF MATERIALS
 COMPONENTS & GLAZING DETAIL

NO.	DATE	REVISIONS
6	7/06/23	UPDATE TO 8TH ED. (2023) FBC
5	7/02/20	UPDATE TO 7TH ED. (2020) FBC
4	6/01/17	UPDATE TO 6TH ED. (2017) FBC
3	5/10/16	REVISE INSTALLATION SCREWS
2	1/27/15	UPDATE TO 5TH ED. (2014) FBC
1	8/25/14	REVISED REINFORCEMENT
		JK
		BY

DATE: 6/26/14
 SCALE: N.T.S.
 DWG. BY: JK
 CHK. BY: LFS
 DRAWING NO.: FL-15819.9
 SHEET 5 OF 5